

# Halo

## THE POWER OF THE SUN, NOW IN YOUR BATHROOM.



**VENUS**<sup>TM</sup>  
SOLAR WATER HEATERS

## VENUS SOLAR WATER HEATER

Venus flat plate solar water heaters harness the power of the sun and use it to the maximum to give you hot water when you need it. They come with a Super Efficient Collector with 100% copper fins and a corrosion resistant Porcelain enamel tank that offers hard water protection. Get one today and you will realise it is the most reliable and energy efficient solar water heater available.

### FEATURES



Porcelain Enamel Glass Lined Tank: Manufactured in a modern, automated plant using European Technology. Protects the tank from rust and corrosion



Flat plate collector with 100% copper fins coated in black for maximum absorption of solar radiation and effective heat transfer



Powder coated MS stand - sturdy and rust resistant



Powder coated Outer body : Long life corrosion proof Pre coated outer cladding



5cm Thick PUF insulation for minimum heat loss



Backup electric heating element for cold / rainy days (optional)



Pressure pump compatible with 5 bar pressure rating




7 Years Guarantee on Inner Tank

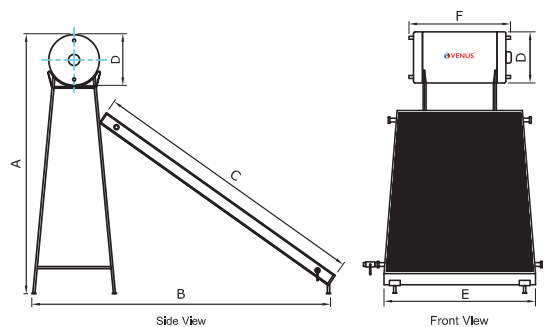
### Product Specifications

Description	HA100	HA200				
Capacity	100 LPD	200 LPD				
FP Collector	1 no	2 no				
Safety Devices (Optional)	Thermostat	Thermostat				
Pipe Connection	3/4"	3/4"				
Electric Heating Element (Optional)	2 kw	2 kw				
Rated Working Pressure	5 bar (5 kg/cm <sup>2</sup> )	5 bar (5 kg/cm <sup>2</sup> )				
Daily Usage	4 Persons	8 Persons				
Maximum No. of Outlets	2 nos	4 nos				
Dimensions (in mm)						
Model	A	B	C	D	E	F
100 Ltrs	1750	2300	2030	560	1030	840
200 Ltrs	1750	2300	2030	560	2160	1450

Higher Capacity models are also available (HA300, HA500, HA1000 etc.)

\* Refer "Terms & Conditions" in User Manual.

	<b>Inner Tank</b> 7 Years	<b>Product</b> 5 Years
---	------------------------------	---------------------------



### VENUS HOME APPLIANCES (P) LTD.

**REG. OFFICE & FACTORY:** Tuticorin - 628 103.  
**CENTRAL MARKETING OFFICE:** 4/993, Kamaraj Street,  
 Rajiv Gandhi Salai (OMR), Kottivakkam,  
 Perungudi Post, Chennai - 600 096. Ph: 43401515.

**Customer Care :** 08144666999 | **Whatsapp:** 09884064999 | **Email:** customercare@venushomeappliances.com  
**Website :** www.solar-waterheaters.co.in | www.venushomeappliances.com